

FROZEN FOOD

RLN

GLASS DOOR FREEZER



ENHANCED ENERGY EFFICIENCY  
& VERSATILITY

**HUSMANN**<sup>®</sup>  
A Panasonic Company

### PRODUCT BENEFITS

- Ergonomic design for easy access
- Alternative shelving layouts to optimise merchandising
- Optimised display with LED lighting
- Energy efficient door solution
- Low Total Energy Consumption (TEC)
- Product temperature compliance
- Simple to install and maintain

### STANDARD FEATURES

- Internal and external powder coating
- Standard door with anti fog film
- Vertical 4000K mullion LED lights
- 6 rows of 560mm solid powder coated unlit shelves
- Ticket strips
- Wire base tray
- Wire air return grill
- Rubber bumper
- Galvanised base
- Evaporator assembly fitted with valve
- Copper evaporator coil
- EC fan motors
- Digital thermometer display fitted
- Draw wire in conduit

### CUSTOMISATIONS

#### Shelving & Base Shelf

- Optional additional shelves and brackets
- Wire shelf and wire basket
- Product dividers
- Base basket dividers
- Wire shelf fences 75mm

#### Lighting

- Undershelf lighting

#### Ends

- Solid end with powder coated trim
- Glass view end with powder coated trim
- Acrylic full height system divider

#### Bumper

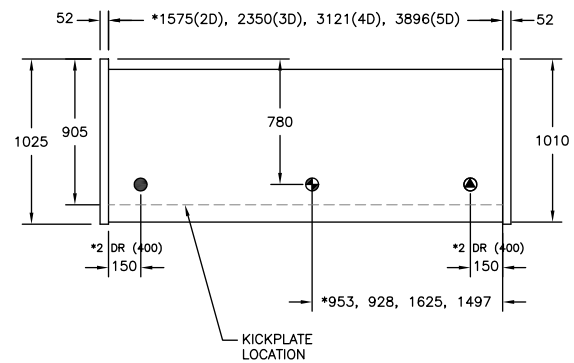
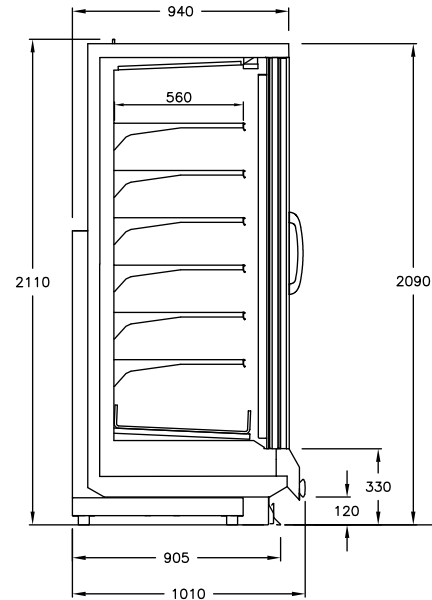
- Stainless steel bumper (single rail)

#### Other

- Rear dress panel
- Rear vent kit
- Top mount piping
- Valance panel
- Hot gas defrost
- Option for medium temperature operation
- Technology solutions
- Electronic shelf labels or video rail

#### Energy & Sustainability

- Anti sweat icon controller



### AVAILABLE LENGTHS

Excluding Ends: 1575, 2350, 3121, 3896

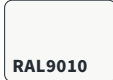
TEMPERATURE CLASS
3L1

(-18 °C to -15 °C)

### AVAILABLE DEPTHS

RLN - Narrow: 1010  
 RL - Standard: 1110  
 RLTM - Tall: 1130

### AVAILABLE COLOURS

#### Additional Information

All Dimensions shown in Millimetres (mm) unless otherwise stated. Dimensions and features are subject to change. Please obtain current technical information prior to order confirmation.

**NOTE:** We reserve the right to change or revise specifications and product design in connection with any feature of our products. Such changes do not entitle the buyer to corresponding changes, improvements, additions or replacements for equipment previously sold or Shipped.

